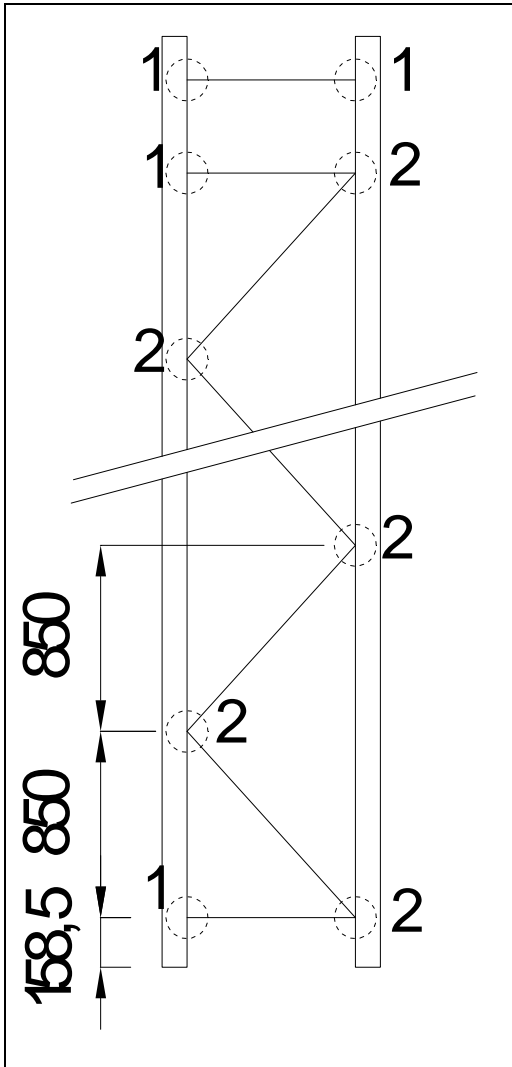
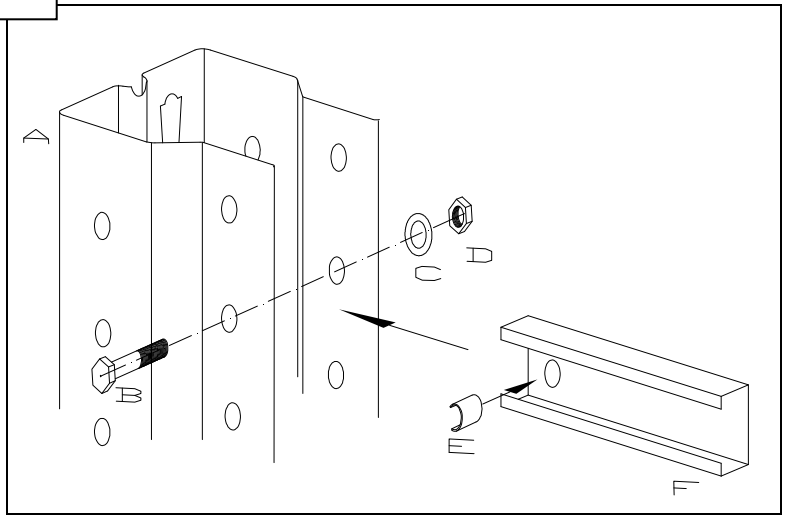


1



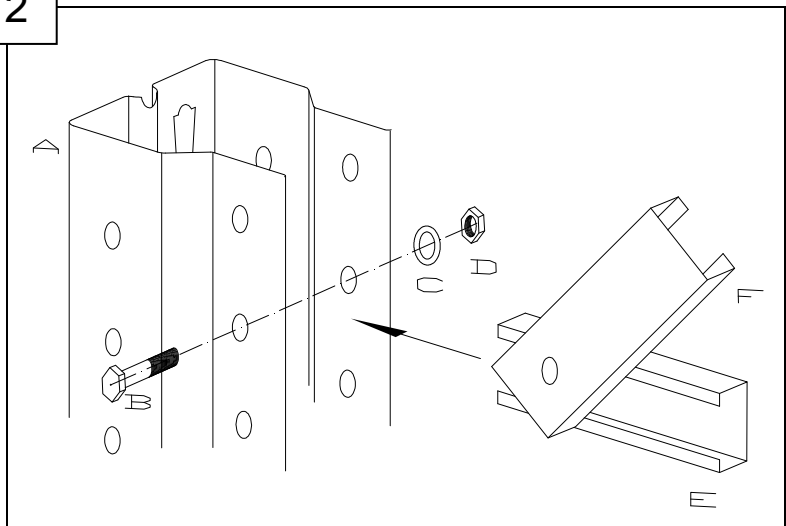
Instalation of frame.
Connection between upright and
Horizontals/Diagonals



Type 1

- A: Upright
- B: Bolt M8x30
- C: Arandela M8
- D: Nut M8
- E: Spacer
- F: Horizontal

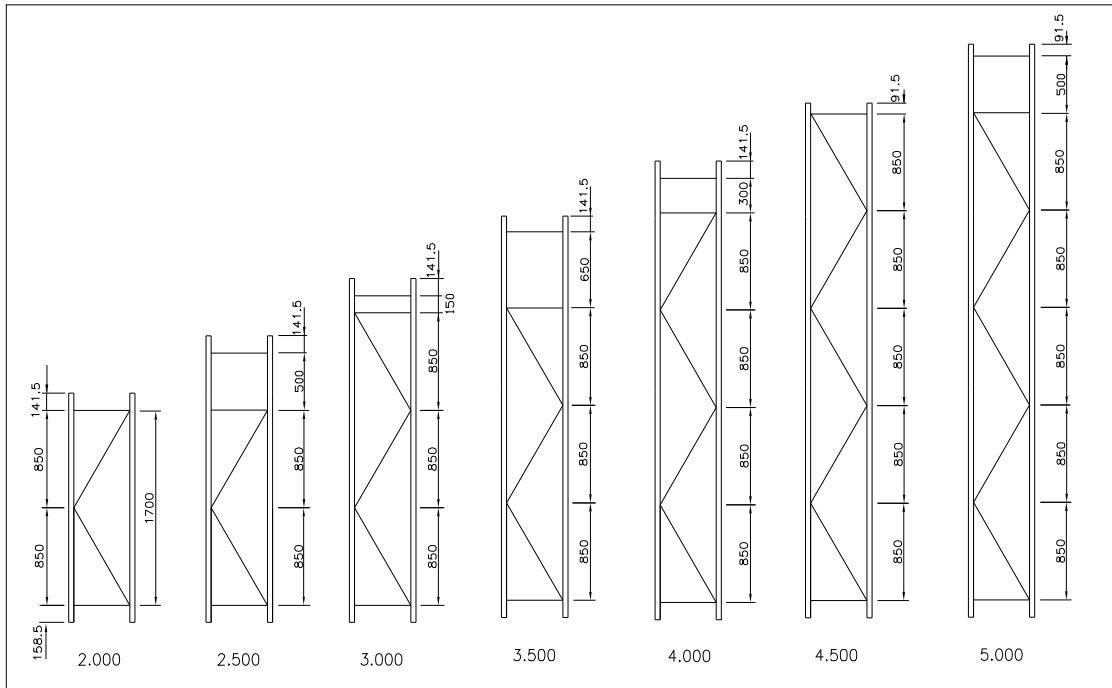
2



Type 2

- A: Upright
- B: Bolt M8x30
- C: Arandela M8
- D: Nut M8
- E: Horizontal or diagonal
- F: Diagonal

Configuration of Frames

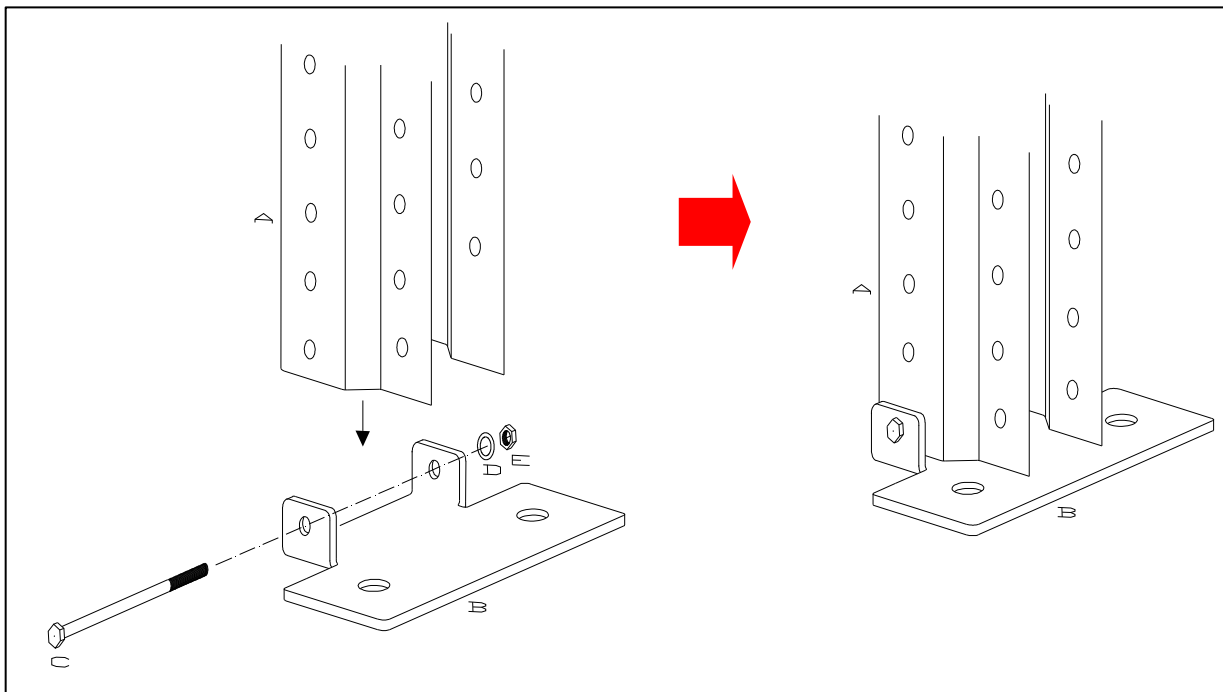


HEIGHT FRAMES (mm)	UPRIGHT	HORIZONTAL	DIAGONAL	FOOTPLATE	BOLT (M8X30)	BOLT (M8X65)	NUT M8	ARANDELA M8	SPACER
2.000	2	2	2	2	5	2	7	7	2
2.500	2	3	2	2	7	2	9	9	4
3.000	2	3	3	2	8	2	10	10	4
3.500	2	3	3	2	8	2	10	10	4
4.000	2	3	4	2	9	2	11	11	4
4.500	2	2	5	2	8	2	10	10	2
5.000	2	3	5	2	10	2	12	12	4

Frame Components

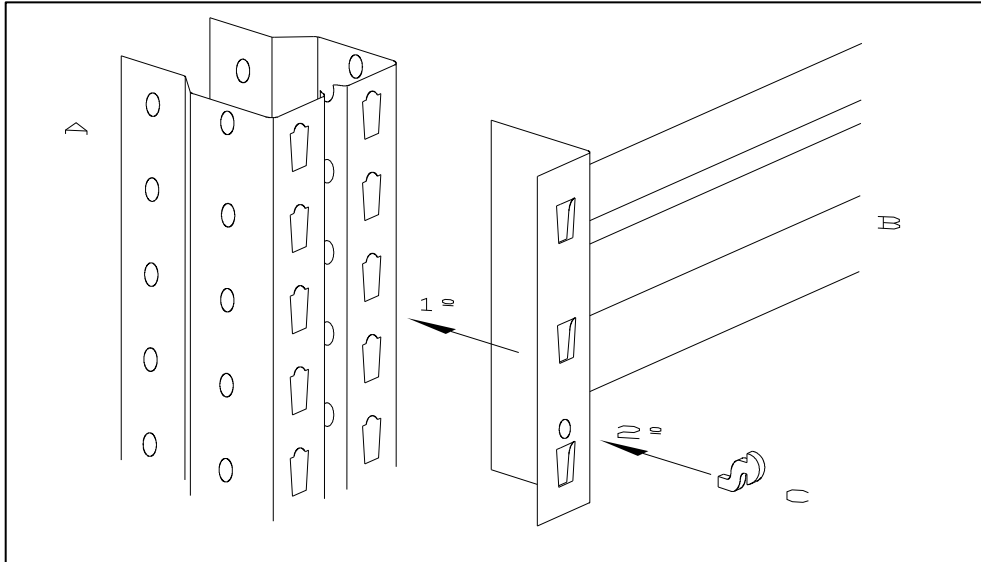
FRAME DEPTH (mm)	HORIZONTAL (mm)	DIAGONAL (mm)
400	365	950
500	465	990
600	565	1.039
800	765	1.157
900	865	1.296
1.000	965	1.224
1.200	1.165	1.450

LENGTHS OF HORIZONTALS/DIAGONALS



Footplate-connection

- A: Upright
- B: Foot-plate
- C: Bolt M8x65
- D: Arandela M8
- E: Nut M8



Beam connection

- A: Upright
- B: Beam
- C: Safety Pin